

**TECHNIQUE INFORMATION
DIESEL GENERATORS
GSG BETA DIESEL ENGINE POWERED**

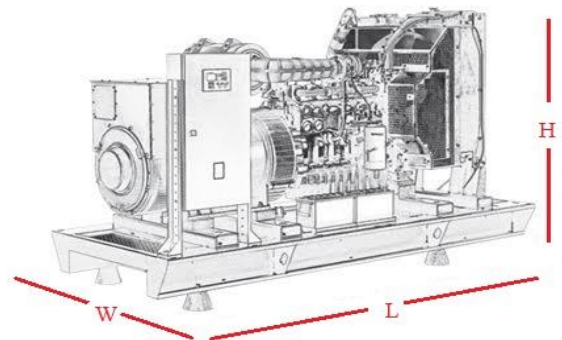
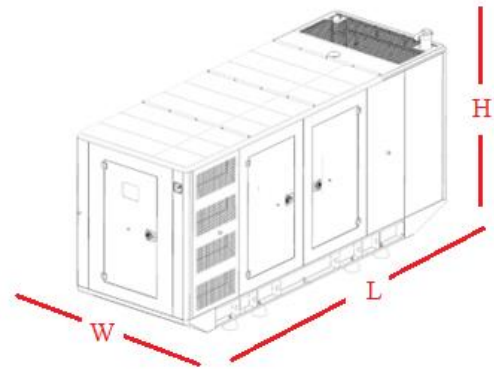
BETA			GSG-1000B	
Standby Power	kVA	1000	Engine Speed	Power Factor
	kW	800	1500 rpm	0,8 Cos Phi
Prime Power	kVA	909	Voltage	
	kW	727	400 / 230 V	

ENGINE

Brand		BAUDOUIIN
Model		12M26G1000/5
Standby	kW	902
Prime	kW	820
Cylinder Displacement	lt.	31,8
Number of Cylinders		12 / V Type
Bore x Stroke	mm x mm	150 x 150
Compression Ratio		15,7 : 1
Governer Type		Electronic
Idle Speed	rpm	1500
Aspiration		Turbocharged Aftercooled
Injection Type		Direct Injection
Cooling System		Liquid Cooled
Fuel Consumption %100	lt/h	195
Fuel Consumption %75	lt/h	146
Fuel Consumption %50	lt/h	100
Oil Capacity	lt.	109
Cooling Liquid Capacity	lt.	191
Voltage	V	24
Battery Capacity	A	2 x 150

ALTERNATOR

Output Voltage	V	230 / 400
Frequency	HZ	50
Automatic Voltage Regulation	±%	0,5
Phase		3
Pole		4
Overload		1 Hour %110
Voltage Regulation		±%1
Power Factor	Cosq	0,8
Warning System		Self Alert
AVR Model		SX460
Total Harmonic Losing		≤%3
Connecting Type		Star
Protection Class		IP 23
Isolation Class		H

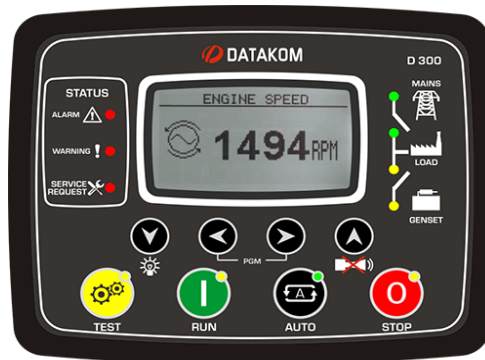


CANOPIED VERSION			FUEL TANK CAPACITY	OPEN VERSION			
Length (mm)	Width (mm)	Height(mm)	Dry Weight (kg)	Length (mm)	Width (mm)	Height(mm)	Dry Weight (kg)
4900	2250	3100	TBA	1000	4900	2250	TBA

OPTIONAL SPECIFICATION

- * 50°C cooland radiator
- * Flexible fuelpipes and oil drain valve
- * Engine jacket heater
- * 4 pole synchronous type self-excited brushless alternator
- * Battery and wires
- * Entegrated fuel tank
- * User and maintenance manual
- * Oil and antifreeze
- * Datakom D-300 controller
- * Battery charger
- * Electrcal circuit diagram
- * Comap AMF25 controller

**TECHNIQUE INFORMATION
DIESEL GENERATORS
GSG BETA DIESEL ENGINE POWERED**



- * Diesel and gas genset support
- * 400Hz operation support
- * Downloadable languages
- * Harmonic analysis of V & I
- * Weekly operation schedule
- * Dual mutual standby with equal aging of gensets
- * Overload IDMT protection
- * Current unbalance protection
- * Fuel filling & fuel theft alarms
- * Battery back-up real time clock

- * Idle speed control
- * Contactor & MCB drive
- * Fuel filling counters
- * Fuel consumption counter
- * Automatic GSM geo-location
- * Reverse power protection
- * Free configuration program
- * Mobile genset support
- * 3 level configuration password
- * Ip65 rating with optional gasket



- * Full remote communications support (AirGate 2.0, WSV)
- * Internet access using Ethernet / 4G, Modbus TCP/RTU, SNMP v1/v2c
- * Active SMS and emails
- * Detailed history log with up to 350 records
- * Dual Mutual Standby application support
- * Remote display
- * User setpoints and protections
- * 5 languages in the controller & Translator functionality
- * User Access Management
- * Cyber security improvement
- * Alternative configurations
- * Multi-purpose schedulers
- * Modbus register mapping possibility

- * Stand-by and prime-power application in one unit
- * Backlit symbols
- * 8 binary outputs, 8 + 1 binary inputs, 4 analog inputs (U/I/R)
- * +5 V output reference for analog inputs
- * 2 high-current E-Stop binary outputs
- * USB Host
- * Inbuilt RS485
- * 2 slots for extension plug-in modules (Modbus, Internet, SMS, inputs/outputs)
- * Extension CAN modules
- * ECU support (Tier 4 Final, Stage V)
- * RTC with battery back-up (full calendar)
- * Power over USB for controller configuration
- * Zero power mode
- * True RMS measurement
- * In-built PLC, complemented with a PLC monitoring tool in IntelliConfig
- * Load shedding, dummy load management
- * User buttons
- * Geofencing based on GPS position
- * Available also in low temperature version (Order code:)