

**TECHNIQUE INFORMATION  
DIESEL GENERATORS  
GSG BETA DIESEL ENGINE POWERED**

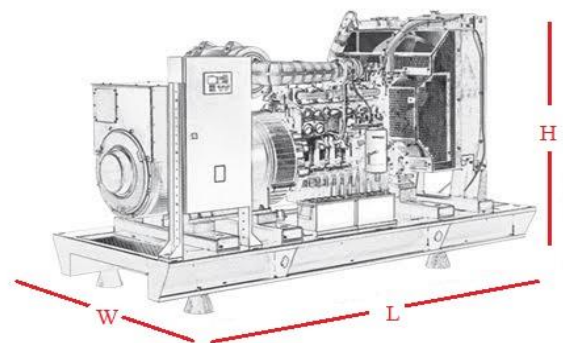
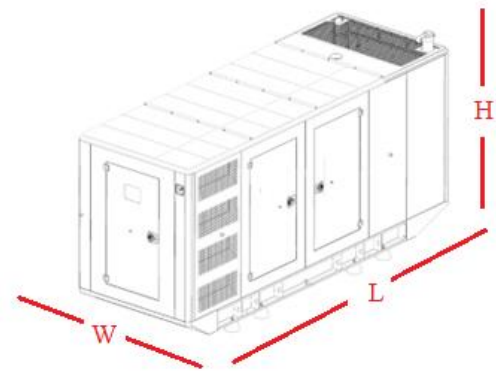
BETA			GSG-405D	
<b>Standby Power</b>	kVA	405	<b>Engine Speed</b>	<b>Power Factor</b>
	kW	324	1500 rpm	0,8 Cos Phi
<b>Prime Power</b>	kVA	368	<b>Voltage</b>	
	kW	294	400 / 230 V	

**ENGINE**

Brand		DOOSAN
Model		DP126LB
Standby	kW	346
Prime	kW	311
Cylinder Displacement	lt.	11
Number of Cylinders		6 / In line
Bore x Stroke	mm x mm	123X155
Compression Ratio		17,2:1
Governer Type		Electronic
Idle Speed	rpm	1500
Aspiration		Turbocharge, Intercooler
Injection Type		Direct Injection
Cooling System		Liquid Cooled
Fuel Consumption %100	lt/h	76
Fuel Consumption %75	lt/h	57,1
Fuel Consumption %50	lt/h	38,4
Oil Capacity	lt.	44
Cooling Liquid Capacity	lt.	51
Voltage	V	24
Battery Capacity	A	2 x 105

**ALTERNATOR**

Output Voltage	V	230 / 400
Frequency	HZ	50
Automatic Voltage Regulation	±%	0,5
Phase		3
Pole		4
Overload		1 Hour %110
Voltage Regulation		±%1
Power Factor	Cosq	0,8
Warning System		Self Alert
AVR Model		SX460
Total Harmonic Losing		≤%3
Connecting Type		Star
Protection Class		IP 23
Isolation Class		H

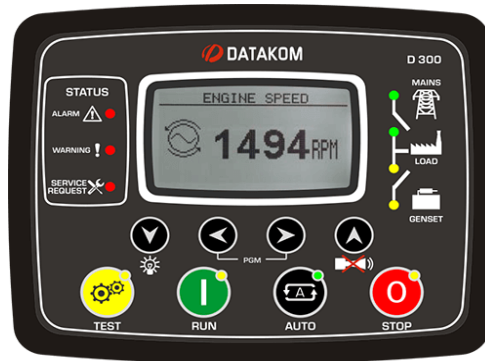


OPEN VERSION				FUEL TANK CAPACITY (lt.)	CANOPY VERSION			
Width(mm)	Length(mm)	Height(mm)	Dry Weight (kg)		Width(mm)	Length(mm)	Height(mm)	Dry Weight (kg)
1200	3000	TBA	TBA	360	1200	3680	1950	TBA

**OPTIONAL SPECIFICATION**

- |   |                              |
|---|------------------------------|
| * 50°C cooland radiator                                     | * Oil and antifreeze         |
| * Flexible fuelpipes and oil drain valve                    | * Datakom D-300 controller   |
| * Engine jacket heater                                      | * Battery charger            |
| * 4 pole synchronous type self-excited brushless alternator | * Electrical circuit diagram |
| * Battery and wires   | * Comap AMF25 controller     |
| * Entegrated fuel tank                                      |                              |
| * User and maintenance manual                               |                              |

**TECHNIQUE INFORMATION**  
**DIESEL GENERATORS**  
**GSG BETA DIESEL ENGINE POWERED**



- \* Diesel and gas genset support
- \* 400Hz operation support
- \* Downloadable languages
- \* Harmonic analysis of V & I
- \* Weekly operation schedule
- \* Dual mutual standby with equal aging of gensets
- \* Overload IDMT protection
- \* Current unbalance protection
- \* Fuel filling & fuel theft alarms
- \* Battery back-up real time clock

- \* Idle speed control
- \* Contactor & MCB drive
- \* Fuel filling counters
- \* Fuel consumption counter
- \* Automatic GSM geo-location
- \* Reverse power protection
- \* Free configuration program
- \* Mobile genset support
- \* 3 level configuration password
- \* Ip65 rating with optional gasket



- \* Full remote communications support (AirGate 2.0, WSV)
- \* Internet access using Ethernet / 4G, Modbus TCP/RTU, SNMP v1/v2c
- \* Active SMS and emails
- \* Detailed history log with up to 350 records
- \* Dual Mutual Standby application support
- \* Remote display
- \* User setpoints and protections
- \* 5 languages in the controller & Translator functionality
- \* User Access Management
- \* Cyber security improvement
- \* Alternative configurations
- \* Multi-purpose schedulers
- \* Modbus register mapping possibility

- \* Stand-by and prime-power application in one unit
- \* Backlit symbols
- \* 8 binary outputs, 8 + 1 binary inputs, 4 analog inputs (U/I/R)
- \* +5 V output reference for analog inputs
- \* 2 high-current E-Stop binary outputs
- \* USB Host
- \* Inbuilt RS485
- \* 2 slots for extension plug-in modules (Modbus, Internet, SMS, inputs/outputs)
- \* Extension CAN modules
- \* ECU support (Tier 4 Final, Stage V)
- \* RTC with battery back-up (full calendar)
- \* Power over USB for controller configuration
- \* Zero power mode
- \* True RMS measurement
- \* In-built PLC, complemented with a PLC monitoring tool in IntelliConfig
- \* Load shedding, dummy load management
- \* User buttons
- \* Geofencing based on GPS position
- \* Available also in low temperature version (Order code: ...)