

**TECHNIQUE INFORMATION  
DIESEL GENERATORS  
GSG BETA DIESEL ENGINE POWERED**

**GENSTAR**  
generator

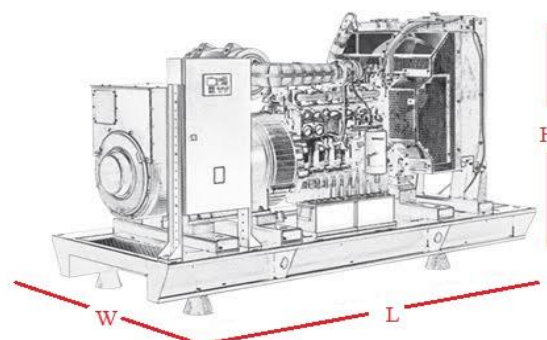
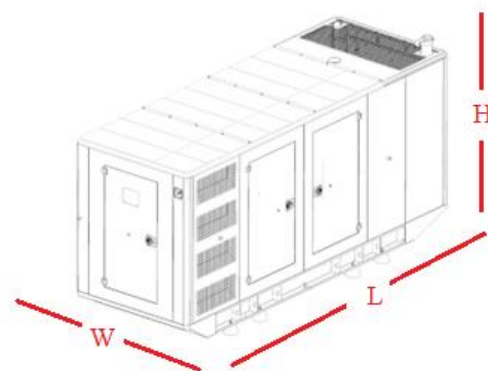
| BETA                 |     |      | GSG-44B             |                     |
|----------------------|-----|------|---------------------|---------------------|
| <b>Standby Power</b> | kVA | 44   | <b>Engine Speed</b> | <b>Power Factor</b> |
|                      | kW  | 35,2 | 1500 rpm            | 0,8 Cos Phi         |
| <b>Prime Power</b>   | kVA | 40   | <b>Voltage</b>      |                     |
|                      | kW  | 32   | 400 / 230 V         |                     |

**ENGINE**

|                         |         |                  |
|-------------------------|---------|------------------|
| Brand                   |         | BAUDOUIIN        |
| Model                   |         | 4M06G44/5        |
| Standby                 | kW      | 41               |
| Prime                   | kW      | 37               |
| Cylinder Displacement   | lt.     | 2,3              |
| Number of Cylinders     |         | 4 / In line      |
| Bore x Stroke           | mm x mm | 80 x 92          |
| Compression Ratio       |         | 17.5:1           |
| Governer Type           |         | Electronic       |
| Idle Speed              | rpm     | 1500             |
| Aspiration              |         | Turbocharged     |
| Injection Type          |         | Direct Injection |
| Cooling System          |         | Liquid Cooled    |
| Fuel Consumption %100   | lt/h    | 9,5              |
| Fuel Consumption %75    | lt/h    | 7                |
| Fuel Consumption %50    | lt/h    | 4,7              |
| Oil Capacity            | lt.     | 11,5             |
| Cooling Liquid Capacity | lt.     | 16               |
| Voltage                 | V       | 12               |
| Battery Capacity        | A       | 60               |

**ALTERNATOR**

|                              |      |             |
|------------------------------|------|-------------|
| Output Voltage               | V    | 230 / 400   |
| Frequency                    | HZ   | 50          |
| Automatic Voltage Regulation | ±%   | 0,5         |
| Phase                        |      | 3           |
| Pole                         |      | 4           |
| Overload                     |      | 1 Hour %110 |
| Voltage Regulation           |      | ±%1         |
| Power Factor                 | Cosq | 0,8         |
| Warning System               |      | Self Alert  |
| AVR Model                    |      | SX460       |
| Total Harmonic Losing        |      | ≤%3         |
| Connecting Type              |      | Star        |
| Protection Class             |      | IP 23       |
| Isolation Class              |      | H           |

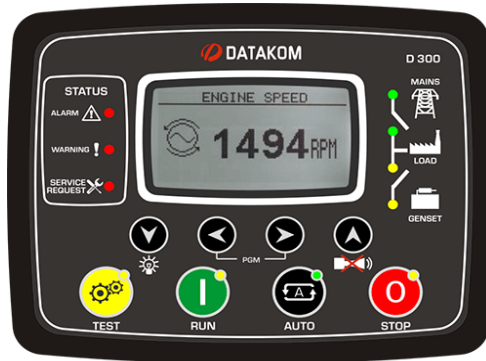


| CANOPIED VERSION |            |            | FUEL TANK CAPACITY | OPEN VERSION |            |            |                 |     |
|------------------|------------|------------|--------------------|--------------|------------|------------|-----------------|-----|
| Length (mm)      | Width (mm) | Height(mm) | Dry Weight (kg)    | Length (mm)  | Width (mm) | Height(mm) | Dry Weight (kg) |     |
| 2300             | 950        | 1560       | TBA                | 85           | 2000       | 950        | TBA             | TBA |

**OPTIONAL SPECIFICATION**

- \* 50°C cooland radiator
- \* Flexible fuelpipes and oil drain valve
- \* Engine jacket heater
- \* 4 pole synchronous type self-excited brushless alternator
- \* Battery and wires
- \* Entegrated fuel tank
- \* User and maintenance manual
- \* Oil and antifreeze
- \* Datakom D-300 controller
- \* Battery charger
- \* Electrcal circuit diagram
- \* Comap AMF25 controller

**TECHNIQUE INFORMATION**  
**DIESEL GENERATORS**  
**GSG BETA DIESEL ENGINE POWERED**



- \* Diesel and gas genset support
- \* 400Hz operation support
- \* Downloadable languages
- \* Harmonic analysis of V & I
- \* Weekly operation schedule
- \* Dual mutual standby with equal aging of gensets
- \* Overload IDMT protection
- \* Current unbalance protection
- \* Fuel filling & fuel theft alarms
- \* Battery back-up real time clock

- \* Idle speed control
- \* Contactor & MCB drive
- \* Fuel filling counters
- \* Fuel consumption counter
- \* Automatic GSM geo-location
- \* Reverse power protection
- \* Free configuration program
- \* Mobile genset support
- \* 3 level configuration password
- \* Ip65 rating with optional gasket



- \* Full remote communications support (AirGate 2.0, WSV)
- \* Internet access using Ethernet / 4G, Modbus TCP/RTU, SNMP v1/v2c
- \* Active SMS and emails
- \* Detailed history log with up to 350 records
- \* Dual Mutual Standby application support
- \* Remote display
- \* User setpoints and protections
- \* 5 languages in the controller & Translator functionality
- \* User Access Management
- \* Cyber security improvement
- \* Alternative configurations
- \* Multi-purpose schedulers
- \* Modbus register mapping possibility

- \* Stand-by and prime-power application in one unit
- \* Backlit symbols
- \* 8 binary outputs, 8 + 1 binary inputs, 4 analog inputs (U/I/R)
- \* +5 V output reference for analog inputs
- \* 2 high-current E-Stop binary outputs
- \* USB Host
- \* Inbuilt RS485
- \* 2 slots for extension plug-in modules (Modbus, Internet, SMS, inputs/outputs)
- \* Extension CAN modules
- \* ECU support (Tier 4 Final, Stage V)
- \* RTC with battery back-up (full calendar)
- \* Power over USB for controller configuration
- \* Zero power mode
- \* True RMS measurement
- \* In-built PLC, complemented with a PLC monitoring tool in IntelliConfig
- \* Load shedding, dummy load management
- \* User buttons
- \* Geofencing based on GPS position
- \* Available also in low temperature version (Order code:)