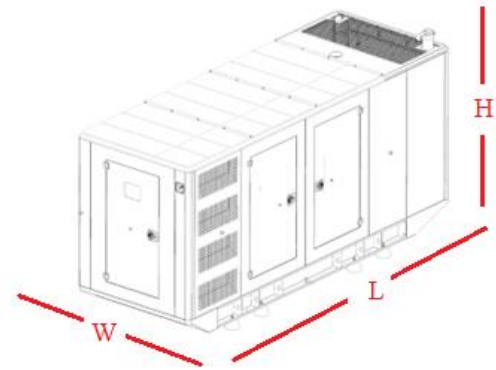


**TECHNIQUE INFORMATION  
DIESEL GENERATORS  
GSG BETA DIESEL ENGINE POWERED**

BETA			GSG-715B	
<b>Standby Power</b>	kVA	715	<b>Engine Speed</b>	<b>Power Factor</b>
	kW	572	1500 rpm	0,8 Cos Phi
<b>Prime Power</b>	kVA	650	<b>Voltage</b>	
	kW	520	400 / 230 V	

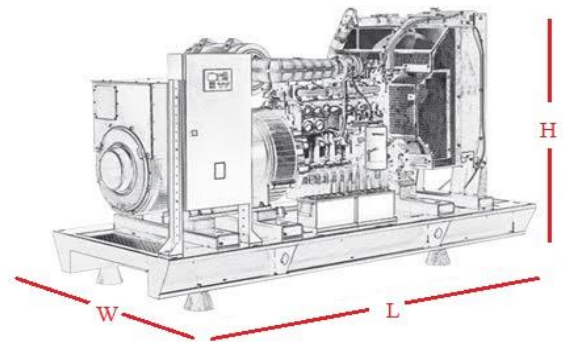
**ENGINE**

Brand		BAUDOUIIN
Model		6M33G715/5
Standby	kW	633
Prime	kW	675
Cylinder Displacement	lt.	19,6
Number of Cylinders		6 / In lne
Bore x Stroke	mm x mm	150 x 185
Compression Ratio		15 : 1
Governer Type		Electronic
Idle Speed	rpm	1500
Aspiration		Turbocharged Aftercooled
Injection Type		Direct Injection
Cooling System		Liquid Cooled
Fuel Consumption %100	lt/h	136,3
Fuel Consumption %75	lt/h	100
Fuel Consumption %50	lt/h	67,1
Oil Capacity	lt.	64
Cooling Liquid Capacity	lt.	159
Voltage	V	24
Battery Capacity	A	2 x 150



**ALTERNATOR**

Output Voltage	V	230 / 400
Frequency	HZ	50
Automatic Voltage Regulation	±%	0,5
Phase		3
Pole		4
Overload		1 Hour %110
Voltage Regulation		±%1
Power Factor	Cosq	0,8
Warning System		Self Alert
AVR Model		SX460
Total Harmonic Losing		≤%3
Connecting Type		Star
Protection Class		IP 23
Isolation Class		H

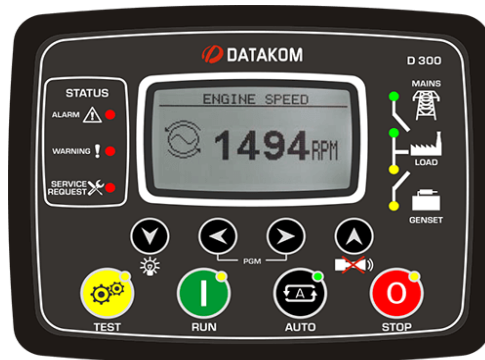


CANOPIED VERSION				FUEL TANK CAPACITY	OPEN VERSION			
Length (mm)	Width (mm)	Height(mm)	Dry Weight (kg)		Length (mm)	Width (mm)	Height(mm)	Dry Weight (kg)
4100	2000	2880	TBA	870	4100	2000	TBA	TBA

**OPTIONAL SPECIFICATION**

- \* 50°C cooland radiator
- \* Flexible fuelpipes and oil drain valve
- \* Engine jacket heater
- \* 4 pole synchronous type self-excited brushless alternator
- \* Battery and wires
- \* Entegrated fuel tank
- \* User and maintenance manual
- \* Oil and antifreeze
- \* Datakom D-300 controller
- \* Battery charger
- \* Electrcal circuit diagram
- \* Comap AMF25 controller

**TECHNIQUE INFORMATION  
DIESEL GENERATORS  
GSG BETA DIESEL ENGINE POWERED**



- \* Diesel and gas genset support
- \* 400Hz operation support
- \* Downloadable languages
- \* Harmonic analysis of V & I
- \* Weekly operation schedule
- \* Dual mutual standby with equal aging of gensets
- \* Overload IDMT protection
- \* Current unbalance protection
- \* Fuel filling & fuel theft alarms
- \* Battery back-up real time clock

- \* Idle speed control
- \* Contactor & MCB drive
- \* Fuel filling counters
- \* Fuel consumption counter
- \* Automatic GSM geo-location
- \* Reverse power protection
- \* Free configuration program
- \* Mobile genset support
- \* 3 level configuration password
- \* Ip65 rating with optional gasket



- \* Full remote communications support (AirGate 2.0, WSV)
- \* Internet access using Ethernet / 4G, Modbus TCP/RTU, SNMP v1/v2c
- \* Active SMS and emails
- \* Detailed history log with up to 350 records
- \* Dual Mutual Standby application support
- \* Remote display
- \* User setpoints and protections
- \* 5 languages in the controller & Translator functionality
- \* User Access Management
- \* Cyber security improvement
- \* Alternative configurations
- \* Multi-purpose schedulers
- \* Modbus register mapping possibility

- \* Stand-by and prime-power application in one unit
- \* Backlit symbols
- \* 8 binary outputs, 8 + 1 binary inputs, 4 analog inputs (U/I/R)
- \* +5 V output reference for analog inputs
- \* 2 high-current E-Stop binary outputs
- \* USB Host
- \* Inbuilt RS485
- \* 2 slots for extension plug-in modules (Modbus, Internet, SMS, inputs/outputs)
- \* Extension CAN modules
- \* ECU support (Tier 4 Final, Stage V)
- \* RTC with battery back-up (full calendar)
- \* Power over USB for controller configuration
- \* Zero power mode
- \* True RMS measurement
- \* In-built PLC, complemented with a PLC monitoring tool in IntelliConfig
- \* Load shedding, dummy load management
- \* User buttons
- \* Geofencing based on GPS position
- \* Available also in low temperature version (Order code:)