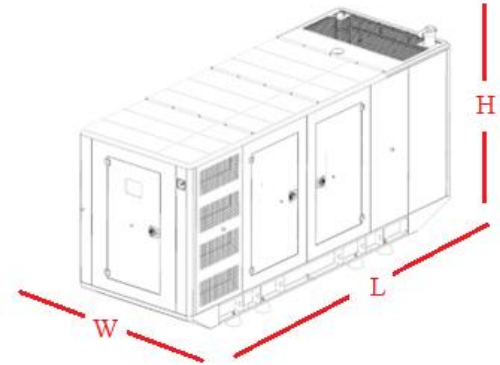


**TECHNIQUE INFORMATION
DIESEL GENERATORS
GSG STAR DIESEL ENGINE POWERED**

| STAR | | | GSG-75YD | |
|----------------------|-----|------|---------------------|---------------------|
| Standby Power | kVA | 75 | Engine Speed | Power Factor |
| | kVA | 60 | 1500 rpm | 0,8 Cos Phi |
| Prime Power | kVA | 68,1 | Voltage | |
| | KW | 54,5 | 400/230 V | |

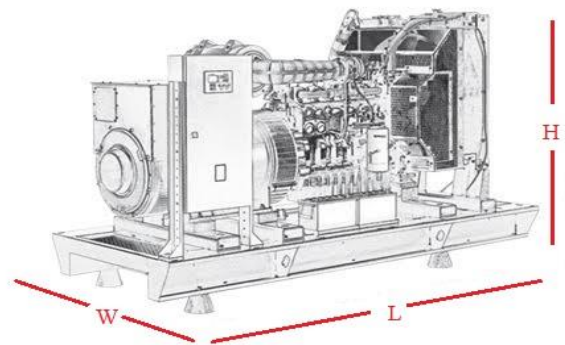
ENGINE

| | | |
|-------------------------|---------|---------------------------|
| Brand | | YANGDONG |
| Model | | YD4EZLD |
| Standby | kW | 69,3 |
| Prime | kW | 63 |
| Cylinder Displacement | lt. | 4,1 |
| Number of Cylinders | | 4 / In line |
| Bore x Stroke | mm x mm | 102 x 118 |
| Compression Ratio | | 18 : 1 |
| Governer Type | | Electronic |
| Idle Speed | rpm | 1500 |
| Aspiration | | Turbocharger, Intercooler |
| Injection Type | | Direct Injection |
| Cooling System | | Liquid Cooled |
| Fuel Consumption %100 | lt/h | 16,3 |
| Fuel Consumption %75 | lt/h | 12,2 |
| Fuel Consumption %50 | lt/h | 8,1 |
| Oil Capacity | lt. | 13 |
| Cooling Liquid Capacity | lt. | 15,6 |
| Voltage | V | 12 |
| Battery Capacity | A | 60 |



ALTERNATOR

| | | |
|------------------------------|------|-------------|
| Output Voltage | V | 230/400 |
| Frequency | HZ | 50 |
| Automatic Voltage Regulation | ±% | 0,5 |
| Phase | | 3 |
| Pole | | 4 |
| Overload | | 1 Hour %110 |
| Voltage Regulation | Cosq | 1 |
| Power Factor | | 0,8 |
| Warning System | | Self Alert |
| AVR Model | | SX460 |
| Total Harmonic Losing | | ≤%3 |
| Connecting Type | | Star |
| Protection Class | | IP23 |
| Isolation Class | | H |

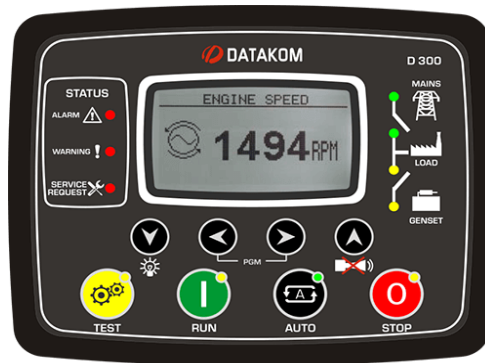


| CANOPY VERSION | | | FUEL TANK CAPACITY (lt.) | OPEN VERSION | | | | |
|----------------|-----------|------------|--------------------------|--------------|------------|------------|-----------------|-----|
| Length(mm) | Width(mm) | Height(mm) | Dry Weight (kg) | Length (mm) | Width (mm) | Height(mm) | Dry Weight (kg) | |
| 2300 | 950 | 1560 | TBA | 140 | 2000 | 950 | 1310 | TBA |

OPTIONAL SPECIFICATION

- * 50°C cooland radiator
- * Flexible fuelpipes and oil drain valve
- * Engne jacket heater
- * 4 pole synchronous type self-excited brushless alternator
- * Battery and wres
- * Entegrated fuel tank
- * User and maintenance manual
- * Oil and antifreeze
- * Datakom D-300 controller
- * Battery charger
- * Electrcal circuit diagram
- * Comap AMF25 controller

TECHNIQUE INFORMATION
DIESEL GENERATORS
GSG STAR DIESEL ENGINE POWERED



- * Diesel and gas genset support
- * 400Hz operation support
- * Downloadable languages
- * Harmonic analysis of V & I
- * Weekly operation schedule
- * Dual mutual standby with equal aging of gensets
- * Overload IDMT protection
- * Current unbalance protection
- * Fuel filling & fuel theft alarms
- * Battery back-up real time clock

- * Idle speed control
- * Contactor & MCB drive
- * Fuel filling counters
- * Fuel consumption counter
- * Automatic GSM geo-location
- * Reverse power protection
- * Free configuration program
- * Mobile genset support
- * 3 level configuration password
- * Ip65 rating with optional gasket



- * Full remote communications support (AirGate 2.0, WSV)
- * Internet access using Ethernet / 4G, Modbus TCP/RTU, SNMP v1/v2c
- * Active SMS and emails
- * Detailed history log with up to 350 records
- * Dual Mutual Standby application support
- * Remote display
- * User setpoints and protections
- * 5 languages in the controller & Translator functionality
- * User Access Management
- * Cyber security improvement
- * Alternative configurations
- * Multi-purpose schedulers
- * Modbus register mapping possibility

- * Stand-by and prime-power application in one unit
- * Backlit symbols
- * 8 binary outputs, 8 + 1 binary inputs, 4 analog inputs (U/I/R)
- * +5 V output reference for analog inputs
- * 2 high-current E-Stop binary outputs
- * USB Host
- * Inbuilt RS485
- * 2 slots for extension plug-in modules (Modbus, Internet, SMS, inputs/outputs)
- * Extension CAN modules
- * ECU support (Tier 4 Final, Stage V)
- * RTC with battery back-up (full calendar)
- * Power over USB for controller configuration
- * Zero power mode
- * True RMS measurement
- * In-built PLC, complemented with a PLC monitoring tool in IntelliConfig
- * Load shedding, dummy load management
- * User buttons
- * Geofencing based on GPS position
- * Available also in low temperature version (Order code:)