

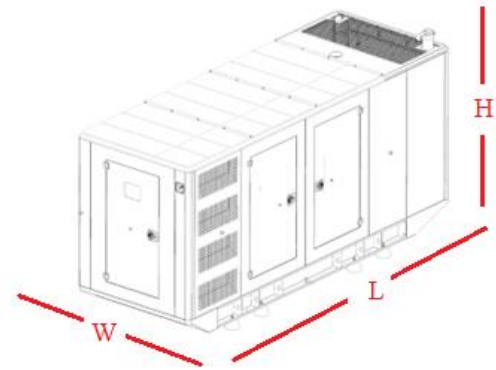
TECHNIQUE INFORMATION
DIESEL GENERATORS
GSG BETA DIESEL ENGINE POWERED



BETA			GSG-900D	
Standby Power	kVA	900	Engine Speed	Power Factor
	kW	720	1500 rpm	0,8 Cos Phi
Prime Power	kVA	918	Voltage	
	kW	654	400 / 230 V	

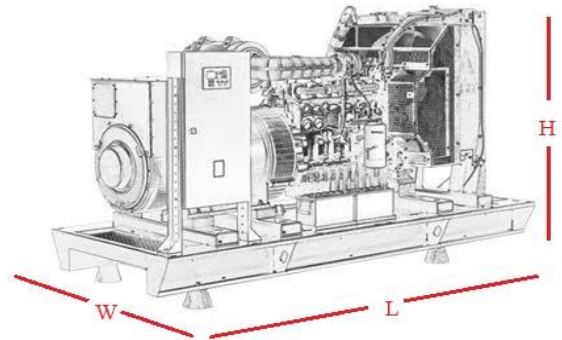
ENGINE

Brand		DOOSAN
Model		DP222CB
Standby	kW	769
Prime	kW	684
Cylinder Displacement	lt.	22
Number of Cylinders		12 / V Type
Bore x Stroke	mm x mm	128 x 142
Compression Ratio		14,6 : 1
Governer Type		Electronic
Idle Speed	rpm	1500
Aspiration		Turbocharge, Intercooler
Injection Type		ECU
Cooling System		Liquid Cooled
Fuel Consumption %100	lt/h	171
Fuel Consumption %75	lt/h	145
Fuel Consumption %50	lt/h	98
Oil Capacity	lt.	75
Cooling Liquid Capacity	lt.	66
Voltage	V	24
Battery Capacity	A	2 x 150



ALTERNATOR

Output Voltage	V	230 / 400
Frequency	HZ	50
Automatic Voltage Regulation	±%	0,5
Phase		3
Pole		4
Overload		1 Hour %110
Voltage Regulation		±%1
Power Factor	Cosq	0,8
Warning System		Self Alert
AVR Model		SX460
Total Harmonic Losing		≤%3
Connecting Type		Star
Protection Class		IP 23
Isolation Class		H

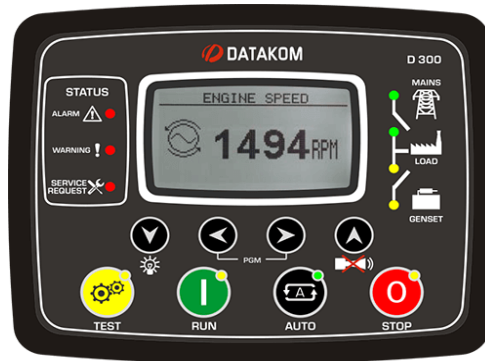


OPEN VERSION				FUEL TANK CAPACITY (lt.)	CANOPY VERSION			
Width(mm)	Length(mm)	Height(mm)	Dry Weight (kg)		Width(mm)	Length(mm)	Height(mm)	Dry Weight (kg)
2000	4100	TBA	TBA	870	2000	4100	2880	TBA

OPTIONAL SPECIFICATION

- | | |
|---|------------------------------|
| * 50°C cooland radiator | * Oil and antifreeze |
| * Flexible fuelpipes and oil drain valve | * Datakom D-300 controller |
| * Engine jacket heater | * Battery charger |
| * 4 pole synchronous type self-excited brushless alternator | * Electrical circuit diagram |
| * Battery and wires | * Comap AMF25 controller |
| * Entegrated fuel tank | |
| * User and maintenance manual | |

TECHNIQUE INFORMATION
DIESEL GENERATORS
GSG BETA DIESEL ENGINE POWERED



- * Diesel and gas genset support
- * 400Hz operation support
- * Downloadable languages
- * Harmonic analysis of V & I
- * Weekly operation schedule
- * Dual mutual standby with equal aging of gensets
- * Overload IDMT protection
- * Current unbalance protection
- * Fuel filling & fuel theft alarms
- * Battery back-up real time clock

- * Idle speed control
- * Contactor & MCB drive
- * Fuel filling counters
- * Fuel consumption counter
- * Automatic GSM geo-location
- * Reverse power protection
- * Free configuration program
- * Mobile genset support
- * 3 level configuration password
- * Ip65 rating with optional gasket



- * Full remote communications support (AirGate 2.0, WSV)
- * Internet access using Ethernet / 4G, Modbus TCP/RTU, SNMP v1/v2c
- * Active SMS and emails
- * Detailed history log with up to 350 records
- * Dual Mutual Standby application support
- * Remote display
- * User setpoints and protections
- * 5 languages in the controller & Translator functionality
- * User Access Management
- * Cyber security improvement
- * Alternative configurations
- * Multi-purpose schedulers
- * Modbus register mapping possibility

- * Stand-by and prime-power application in one unit
- * Backlit symbols
- * 8 binary outputs, 8 + 1 binary inputs, 4 analog inputs (U/I/R)
- * +5 V output reference for analog inputs
- * 2 high-current E-Stop binary outputs
- * USB Host
- * Inbuilt RS485
- * 2 slots for extension plug-in modules (Modbus, Internet, SMS, inputs/outputs)
- * Extension CAN modules
- * ECU support (Tier 4 Final, Stage V)
- * RTC with battery back-up (full calendar)
- * Power over USB for controller configuration
- * Zero power mode
- * True RMS measurement
- * In-built PLC, complemented with a PLC monitoring tool in IntelliConfig
- * Load shedding, dummy load management
- * User buttons
- * Geofencing based on GPS position
- * Available also in low temperature version (Order code: ...)