

**TECHNIQUE INFORMATION  
DIESEL GENERATORS  
GSG ALFA DIESEL ENGINE POWERED**

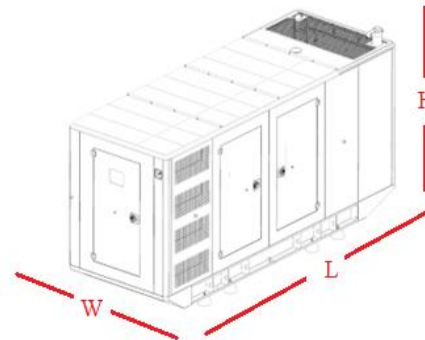


ALFA			GSG - C65	
<b>Standby Power</b>	kVA	65	<b>Engine Speed</b>	<b>Power Factor</b>
	kW	52	1500 rpm	0,8 Cos Phi
<b>Prime Power</b>	kVA	60	<b>Voltage</b>	
	kW	48	400 / 230 V	

**ENGINE**

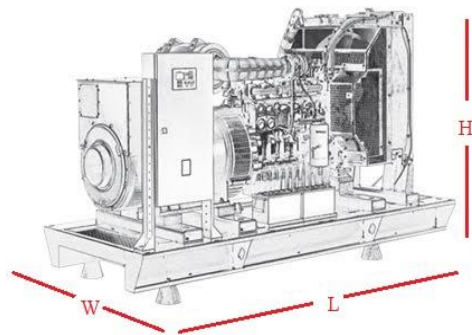
**FUEL CONSUMPTION (lt/h)**

Brand	CUMMINS	%110 ESP	15
Power PRP	58 kW	%100 PRP	14
Model	4BTAA3.3-G13	%75 PRP	11
N° of Cylinders / Valves	4	%50 PRP	7
Engine Type	4	(The specific gravity is 0.84 and the fuel is considered to be BS2869, Class A2.)	
Displacement	3,3 lt		
Aspiration	Turbocharger and Aftercooler System		
Bore x Stroke	95x115 mm		
Compression Ratio	19,0:1		
Air Filter	Heavy Duty		
Cooling Method	Water Cooled (water + %50 antifreeze)		
Total Coolant Capacity	13 lt		
Governor Type	Electronic		
Electrical System	12VDC		
Battery Charger Current	36		
Oil Capacity	7,9 lt		
Exhaust Gas Temp.	163 [L/s]		
Air Flow PRP	≤483 [C]		
Cooling Air Flow PRP	70 [L/s]		
Starter Power	1,7 [m3/s]		
Starter Power	TBA (kW)		
Standard Battery Voltage	12 VDC		
Standard Battery Capacity	1X60Ah		
Standard Battery Type	Maintenance-Free Lead Acid		

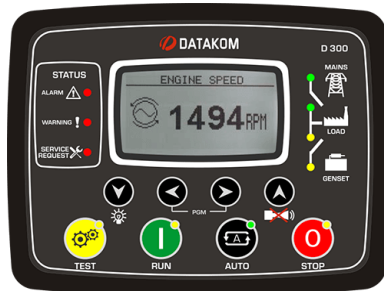


**ALTERNATOR**

Brand	LINZ
Model	PRO18LG/4
Voltage	400 /230 VAC
Number of Phase	3
Power Factor	0,8
Number of Poles	4
Connection Type	Star
Bearing	Single
Insulation Class	H
Protection Class	IP 23
Winding	2/3
Control System	Self Excited
Voltage Regulator	Electronic AVR
Efficiency 4/4 400VAC 50Hz	(cosφ=1) 91,9
Voltage Regulation	±%1
THD	<%5
Apparent Power [kVA] Prime 400VAC 50Hz	60
	125°C/40°C



OPEN VERSION					CANOPY VERSION			
Width(mm)	Length(mm)	Height(mm)	Dry Weight (kg)	Fuel Tank Capacity (lt.)	Width(mm)	Length(mm)	Height(mm)	Dry Weight (kg)
1100	2150	1150	TBA	174	1160	2910	1720	TBA



- \* Diesel and gas genset support
- \* 400Hz operation support
- \* Downloadable languages
- \* Harmonic analysis of V & I
- \* Weekly operation schedule
- \* Dual mutual standby with equal aging of gensets
- \* Overload IDMT protection
- \* Current unbalance protection
- \* Fuel filling & fuel theft alarms
- \* Battery back-up real time clock

- \* Idle speed control
- \* Contactor & MCB drive
- \* Fuel filling counters
- \* Fuel consumption counter
- \* Automatic GSM geo-location
- \* Reverse power protection
- \* Free configuration program
- \* Mobile genset support
- \* 3 level configuration password
- \* IP65 rating with optional gasket



- \* Full remote communications support (AirGate 2.0, WSV)
- \* Internet access using Ethernet / 4G, Modbus TCP/RTU, SNMP v1/v2c
- \* Active SMS and emails
- \* Detailed history log with up to 350 records
- \* Dual Mutual Standby application support
- \* Remote display
- \* User setpoints and protections
- \* 5 languages in the controller & Translator functionality
- \* User Access Management
- \* Cyber security improvement
- \* Alternative configurations
- \* Multi-purpose schedulers
- \* Modbus register mapping possibility

- \* Stand-by and prime-power application in one unit
- \* Backlit symbols
- \* 8 binary outputs, 8 + 1 binary inputs, 4 analog inputs (U/I/R)
- \* +5 V output reference for analog inputs
- \* 2 high-current E-Stop binary outputs
- \* USB Host
- \* Inbuilt RS485
- \* 2 slots for extension plug-in modules (Modbus, Internet, SMS, inputs/outputs)
- \* Extension CAN modules
- \* ECU support (Tier 4 Final, Stage V)
- \* RTC with battery back-up (full calendar)
- \* Power over USB for controller configuration
- \* Zero power mode
- \* True RMS measurement
- \* In-built PLC, complemented with a PLC monitoring tool in IntelliConfig
- \* Load shedding, dummy load management
- User buttons
- \* User buttons
- \* Geofencing based on GPS position
- \* Available also in low temperature version (Order code: