

TECHNIQUE INFORMATION
DIESEL GENERATORS
GSG ALFA DIESEL ENGINE POWERED



ALFA		GSG - P1400	
-------------	--	--------------------	--

Standby Power	kVA	1400	Engine Speed	Power Factor
	kW	1120	1500 rpm	0,8 Cos Phi
Prime Power	kVA	1260	Voltage	
	KW	1008	400 / 230 V	

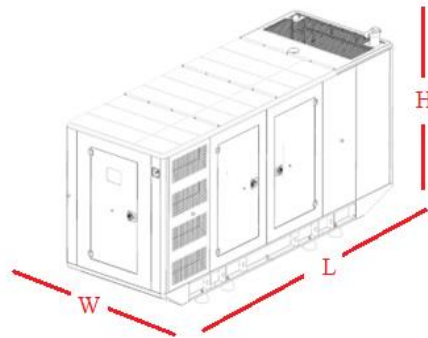
ENGINE

FUEL CONSUMPTION (lt/h)

Brand	PERKINS
Power PRP	1055
Model	4012-46TWG2A
N° of Cylinders / Valves	12/48
Engine Type	4
Displacement	45.8
Aspiration	Turbocharged - Air to air cooled
Bore x Stroke	160x190
Compression Ratio	13:1
Air Filter	Heavy Duty
Cooling Method	Water Cooled (water + %50 antifreeze)
Total Coolant Capacity	201
Governor Type	Electronic
Electrical System	24VDC
Battery Charger Current	40A
Oil Capacity	177
Exhaust Gas Flow PRP	235
Exhaust Gas Temp.	422
Air Flow PRP	103
Cooling Air Flow PRP	28
Starter Power	16,4
Standard Battery Voltage	24VDC
Standard Battery Capacity	4x150Ah
Standard Battery Type	Maintenance-Free Lead Acid

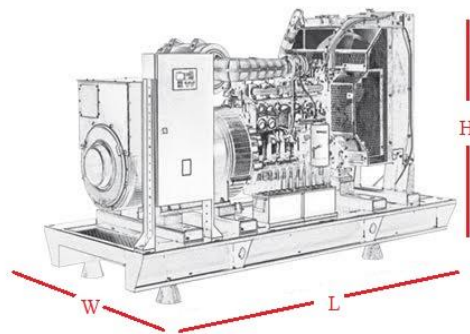
%110 ESP	288
%100 PRP	259
%75 PRP	196
%50 PRP	143

(The specific gravity is 0.84 and the fuel is considered to be BS2869, Class A2.)



ALTERNATOR

Brand	LINZ
Model	PRO40M D/4
Voltage	400 /230 VAC
Number of Phase	3
Power Factor	0.8
Number of Poles	4
Connection Type	Star
Bearing	Single
Insulation Class	H
Protection Class	IP 23
Winding	2/3
Control System	Self Excited
Voltage Regulator	Electronic AVR
Efficiency 4/4 400VAC 50Hz	(cosφ=1) 96.8
Voltage Regulation	±%1
THD	<%3
Apparent Power [kVA] Prime 400VAC 50Hz 125°C/40°C	1350



OPEN VERSION					CANOPY VERSION			
Width(mm)	Length(mm)	Height(mm)	Dry Weight (kg)	Fuel Tank Capacity (lt.)	Width(mm)	Length(mm)	Height(mm)	Dry Weight (kg)
2260	5060	2420	9262	2000	2470	6601	2811*	18417



- * Diesel and gas genset support
- * 400Hz operation support
- * Downloadable languages
- * Harmonic analysis of V & I
- * Weekly operation schedule
- * Dual mutual standby with equal aging of gensets
- * Overload IDMT protection
- * Current unbalance protection
- * Fuel filling & fuel theft alarms
- * Battery back-up real time clock

- * Idle speed control
- * Contactor & MCB drive
- * Fuel filling counters
- * Fuel consumption counter
- * Automatic GSM geo-location
- * Reverse power protection
- * Free configuration program
- * Mobile genset support
- * 3 level configuration password
- * IP65 rating with optional gasket



- * Full remote communications support (AirGate 2.0, WSV)
- * Internet access using Ethernet / 4G, Modbus TCP/RTU, SNMP v1/v2c
- * Active SMS and emails
- * Detailed history log with up to 350 records
- * Dual Mutual Standby application support
- * Remote display
- * User setpoints and protections
- * 5 languages in the controller & Translator functionality
- * User Access Management
- * Cyber security improvement
- * Alternative configurations
- * Multi-purpose schedulers
- * Modbus register mapping possibility

- * Stand-by and prime-power application in one unit
- * Backlit symbols
- * 8 binary outputs, 8 + 1 binary inputs, 4 analog inputs (U/I/R)
- * +5 V output reference for analog inputs
- * 2 high-current E-Stop binary outputs
- * USB Host
- * Inbuilt RS485
- * 2 slots for extension plug-in modules (Modbus, Internet, SMS, inputs/outputs)
- * Extension CAN modules
- * ECU support (Tier 4 Final, Stage V)
- * RTC with battery back-up (full calendar)
- * Power over USB for controller configuration
- * Zero power mode
- * True RMS measurement
- * In-built PLC, complemented with a PLC monitoring tool in IntelliConfig
- * Load shedding, dummy load management
- User buttons
 - * User buttons
 - * Geofencing based on GPS position
- * Available also in low temperature version (Order code:)