

TECHNIQUE INFORMATION
DIESEL GENERATORS
GSG ALFA DIESEL ENGINE POWERED



ALFA		GSG - P2250	
-------------	--	--------------------	--

Standby Power	kVA	2250	Engine Speed	Power Factor
	kW	1800	1500 rpm	0,8 Cos Phi

Prime Power	kVA	2025	Voltage	
	KW	1620	400 / 230 V	

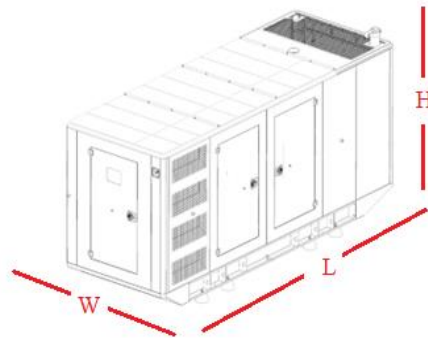
ENGINE

Brand	PERKINS
Power PRP	1684
Model	4016-61TRG2
N° of Cylinders / Valves	16/64
Engine Type	4
Displacement	61.123
Aspiration	Turbocharged - Air to water charge cooled
Bore x Stroke	160x190
Compression Ratio	13:1
Air Filter	Heavy Duty
Cooling Method	Water Cooled (water + %50 antifreeze)
Total Coolant Capacity	500
Governor Type	Electronic
Electrical System	24VDC
Battery Charger Current	55A
Oil Capacity	213
Exhaust Gas Flow PRP	475
Exhaust Gas Temp.	489
Air Flow PRP	158
Cooling Air Flow PRP	2820
Starter Power	16.4
Standard Battery Voltage	24VDC
Standard Battery Capacity	4x150Ah
Standard Battery Type	Maintenance-Free Lead Acid

FUEL CONSUMPTION (lt/h)

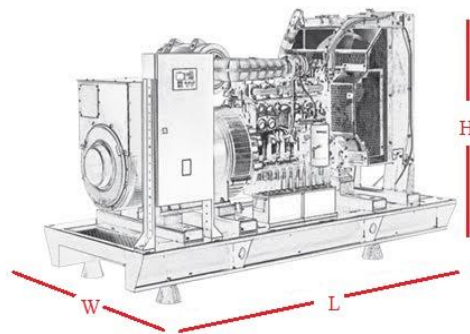
%110 ESP	463
%100 PRP	405
%75 PRP	306
%50 PRP	208

(The specific gravity is 0.84 and the fuel is considered to be BS2869, Class A2.)



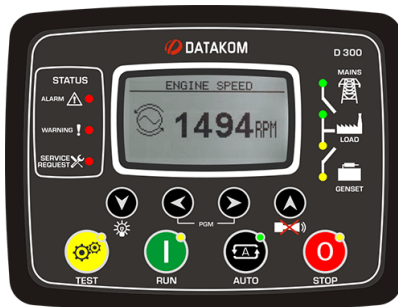
ALTERNATOR

Brand	STAMFORD
Model	S7L1D-G4
Voltage	400 /230 VAC
Number of Phase	3
Power Factor	0.8
Number of Poles	4
Connection Type	Star
Bearing	Single
Insulation Class	H
Protection Class	IP 23
Winding	2/3
Control System	Self Excited
Voltage Regulator	Electronic AVR
Efficiency 4/4 400VAC 50Hz	(cosφ=1) 97
Voltage Regulation	±%1
THD	<%5
Apparent Power [kVA] Prime 400VAC 50Hz 125°C/40°C	2080



OPEN VERSION					CANOPY VERSION			
Width(mm)	Length(mm)	Height(mm)	Dry Weight (kg)	Fuel Tank Capacity (lt.)	Width(mm)	Length(mm)	Height(mm)	Dry Weight (kg)
2260	5060	2420	TBA	3000	2440	9126	3000*	TBA

**TECHNIQUE INFORMATION
DIESEL GENERATORS
GSG ALFA DIESEL ENGINE POWERED**



- * Diesel and gas genset support
- * 400Hz operation support
- * Downloadable languages
- * Harmonic analysis of V & I
- * Weekly operation schedule
- * Dual mutual standby with equal sharing of gensets
- * Overload IDMT protection
- * Current unbalance protection
- * Fuel filling & fuel theft alarms
- * Battery back-up real time clock

- * Idle speed control
- * Contactor & MCB drive
- * Fuel filling counters
- * Fuel consumption counter
- * Automatic GSM geo-location
- * Reverse power protection
- * Free configuration program
- * Mobile genset support
- * 3 level configuration password
- * Ip65 rating with optional gasket



- * Full remote communications support (AirGate 2.0, WSV)
- * Internet access using Ethernet / 4G, Modbus TCP/RTU, SNMP v1/v2c
- * Active SMS and emails
- * Detailed history log with up to 350 records
- * Dual Mutual Standby application support
- * Remote display
- * User setpoints and protections
- * 5 languages in the controller & Translator functionality
- * User Access Management
- * Cyber security improvement
- * Alternative configurations
- * Multi-purpose schedulers
- * Modbus register mapping possibility

- * Stand-by and prime-power application in one unit
- * Backlit symbols
- * 8 binary outputs, 8 + 1 binary inputs, 4 analog inputs (U/I/R)
- * +5 V output reference for analog inputs
- * 2 high-current E-Stop binary outputs
- * USB Host
- * Inbuilt RS485
- * 2 slots for extension plug-in modules (Modbus, Internet, SMS, inputs/outputs)
- * Extension CAN modules
- * ECU support (Tier 4 Final, Stage V)
- * RTC with battery back-up (full calendar)
- * Power over USB for controller configuration
- * Zero power mode
- * True RMS measurement
- * In-built PLC, complemented with a PLC monitoring tool in IntelliConfig
- * Load shedding, dummy load management
- User buttons
 - * User buttons
 - * Geofencing based on GPS position
 - * Available also in low temperature version (Order code: