

TECHNIQUE INFORMATION
DIESEL GENERATORS
GSG STAR DIESEL ENGINE POWERED



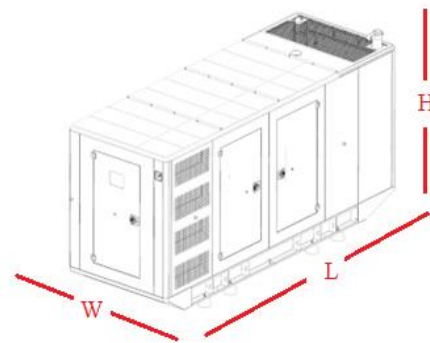
STAR		GSG - S358	
-------------	--	-------------------	--

Standby Power	kVA	358	Engine Speed	Power Factor
	kW	286,4		
Prime Power	kVA	325	Voltage	
	KW	260	400 / 230 V	

ENGINE

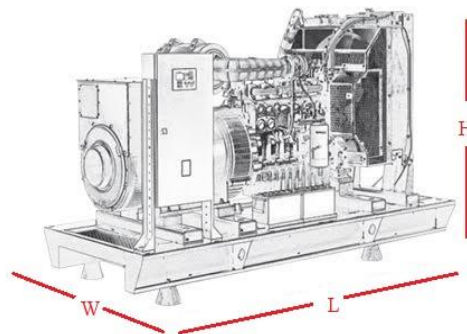
FUEL CONSUMPTION (lt/h)

Brand	SDEC	%110 ESP	78,1	
Power PRP	kW	280	%100 PRP	68,6
Model	SC12E420D2	%75 PRP	51,4	
N° of Cylinders / Valves	6/24	%50 PRP	35,1	
Engine Type	4 Stroke	(The specific gravity is 0.84 and the fuel is considered to be BS2869, Class A2.)		
Displacement	lt			
Aspiration	Turbocharged - Intercooled			
Bore x Stroke	mm			
Compression Ratio	17:1			
Air Filter	Replaceable Element			
Cooling Method	Water Cooled (water + %50 antifreeze)			
Total Coolant Capacity	lt			
Governor Type	Electronic			
Electrical System	24VDC			
Battery Charger Current	70A			
Oil Capacity	lt			
Exhaust Gas Flow PRP	[m3/min]			
Exhaust Gas Temp.	[°C]			
Air Flow PRP	[m3/min]			
Cooling Air Flow PRP	[m3/min]			
Starter Power	(kW)			
Standard Battery Voltage	[V]			
Standard Battery Capacity				
Standard Battery Type	Maintenance-Free Lead Acid			



ALTERNATOR

Brand	NEKRA
Model	ARK 4E
Voltage	400/230 VAC
Number of Phase	3
Power Factor	0,8
Number of Poles	4
Connection Type	Star
Bearing	Single
Insulation Class	H
Protection Class	IP 23
Winding	2/3
Control System	Self Excited
Voltage Regulator	Electronic AVR
Efficiency 4/4 400VAC 50Hz	(cosφ=1) 95,2
Voltage Regulation	+%1
THD	<%5
Apparent Power [kVA] Prime 400VAC 50Hz	325
	125°C/40°C

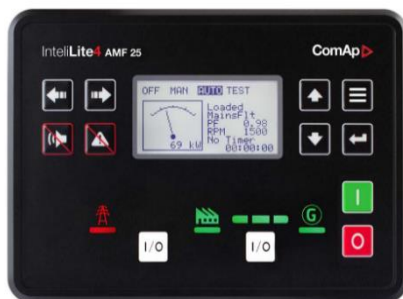


OPEN VERSION					CANOPY VERSION			
Width(mm)	Length(mm)	Height(mm)	Dry Weight (kg)	Fuel Tank Capacity (lt.)	Width(mm)	Length(mm)	Height(mm)	Dry Weight (kg)
1450	3450	1820	2911	780	1510	4370	2205	3763



- * Diesel and gas genset support
- * 400Hz operation support
- * Downloadable languages
- * Harmonic analysis of V & I
- * Weekly operation schedule
- * Dual mutual standby with equal aging of gensets
- * Overload IDMT protection
- * Current unbalance protection
- * Fuel filling & fuel theft alarms
- * Battery back-up real time clock

- * Idle speed control
- * Contactor & MCB drive
- * Fuel filling counters
- * Fuel consumption counter
- * Automatic GSM geo-location
- * Reverse power protection
- * Free configuration program
- * Mobile genset support
- * 3 level configuration password
- * IP65 rating with optional gasket



- * Full remote communications support (AirGate 2.0, WSV)
- * Internet access using Ethernet / 4G, Modbus TCP/RTU
SNMP v1/v2c
- * Active SMS and emails
- * Detailed history log with up to 350 records
- * Dual Mutual Standby application support
- * Remote display
- * User setpoints and protections
- * 5 languages in the controller & Translator functionality
- * User Access Management
- * Cyber security improvement
- * Alternative configurations
- * Multi-purpose schedulers
- * Modbus register mapping possibility

- * Stand-by and prime-power application in one unit
 - * Backlit symbols
 - * 8 binary outputs, 8 + 1 binary inputs, 4 analog inputs (U/I/R)
 - * +5 V output reference for analog inputs
 - * 2 high-current E-Stop binary outputs
 - * USB Host
 - * Inbuilt RS485
 - * 2 slots for extension plug-in modules (Modbus, Internet, SMS, inputs/outputs)
 - * Extension CAN modules
 - * ECU support (Tier 4 Final, Stage V)
 - * RTC with battery back-up (full calendar)
 - * Power over USB for controller configuration
 - * Zero power mode
 - * True RMS measurement
 - * In-built PLC, complemented with a PLC monitoring tool in IntelliConfig
 - * Load shedding, dummy load management
- User buttons
- * User buttons
 - * Geofencing based on GPS position
 - * Available also in low temperature version (Order code: