

TECHNIQUE INFORMATION
DIESEL GENERATORS
GSG STAR DIESEL ENGINE POWERED



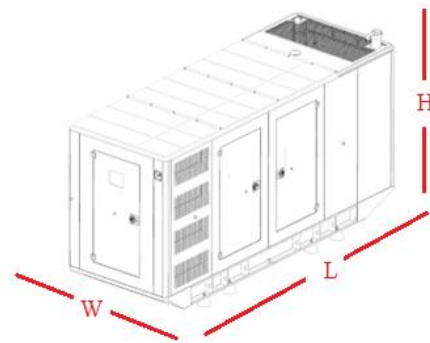
STAR			GSG - S400	
------	--	--	------------	--

Standby Power	kVA	400	Engine Speed	Power Factor
	kW	320	1500 rpm	0,8 Cos Phi
Prime Power	kVA	360	Voltage	
	KW	288	400 / 230 V	

ENGINE

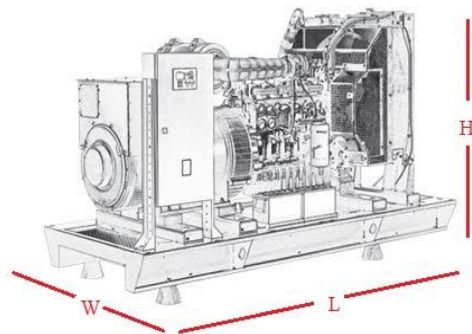
FUEL CONSUMPTION (lt/h)

Brand	SDEC	%110 ESP	80
Power PRP	307	%100 PRP	71,6
Model	SC12E460D2	%75 PRP	53,4
N° of Cylinders / Valves	6/24	%50 PRP	36,1
Engine Type	4 Stroke	(The specific gravity is 0.84 and the fuel is considered to be BS2869, Class A2.)	
Displacement	11,8		
Aspiration	Turbocharged - Intercooled		
Bore x Stroke	128x153		
Compression Ratio	17:1		
Air Filter	Replaceable Element		
Cooling Method	Water Cooled (water + %50 antifreeze)		
Total Coolant Capacity	80,2		
Governor Type	Electronic		
Electrical System	24VDC		
Battery Charger Current	70A		
Oil Capacity	41		
Exhaust Gas Flow PRP	41,5		
Exhaust Gas Temp.	600		
Air Flow PRP	18,6		
Cooling Air Flow PRP	548,4		
Starter Power	5,5		
Standard Battery Voltage	24VDC		
Standard Battery Capacity	2x105Ah		
Standard Battery Type	Maintenance-Free Lead Acid		



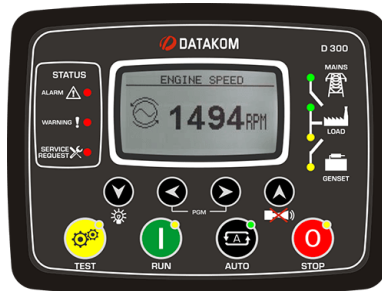
ALTERNATOR

Brand	NEKRA
Model	ARK 4F
Voltage	400/230 VAC
Number of Phase	3
Power Factor	0,8
Number of Poles	4
Connection Type	Star
Bearing	Single
Insulation Class	H
Protection Class	IP 23
Winding	2/3
Control System	Self Excited
Voltage Regulator	Electronic AVR
Efficiency 4/4 400VAC 50Hz	95,1
Voltage Regulation	+%1
THD	<%5
Apparent Power [kVA] Prime 400VAC 50Hz	380
125°C/40°C	



OPEN VERSION					CANOPY VERSION			
Width(mm)	Length(mm)	Height(mm)	Dry Weight (kg)	Fuel Tank Capacity (lt.)	Width(mm)	Length(mm)	Height(mm)	Dry Weight (kg)
1450	3450	1820	3017	780	1510	4370	2205	3500

**TECHNIQUE INFORMATION
DIESEL GENERATORS
GSG STAR DIESEL ENGINE POWERED**



- * Diesel and gas genset support
- * 400Hz operation support
- * Downloadable languages
- * Harmonic analysis of V & I
- * Weekly operation schedule
- * Dual mutual standby with equal aging of gensets
- * Overload IDMT protection
- * Current unbalance protection
- * Fuel filling & fuel theft alarms
- * Battery back-up real time clock

- * Idle speed control
- * Contactor & MCB drive
- * Fuel filling counters
- * Fuel consumption counter
- * Automatic GSM geo-location
- * Reverse power protection
- * Free configuration program
- * Mobile genset support
- * 3 level configuration password
- * IP65 rating with optional gasket



- * Full remote communications support (AirGate 2.0, WSV)
- * Internet access using Ethernet / 4G, Modbus TCP/RTU
SNMP v1/v2c
- * Active SMS and emails
- * Detailed history log with up to 350 records
- * Dual Mutual Standby application support
- * Remote display
- * User setpoints and protections
- * 5 languages in the controller & Translator functionality
- * User Access Management
- * Cyber security improvement
- * Alternative configurations
- * Multi-purpose schedulers
- * Modbus register mapping possibility

- * Stand-by and prime-power application in one unit
 - * Backlit symbols
 - * 8 binary outputs, 8 + 1 binary inputs, 4 analog inputs (U/I/R)
 - * +5 V output reference for analog inputs
 - * 2 high-current E-Stop binary outputs
 - * USB Host
 - * Inbuilt RS485
 - * 2 slots for extension plug-in modules (Modbus, Internet, SMS, inputs/outputs)
 - * Extension CAN modules
 - * ECU support (Tier 4 Final, Stage V)
 - * RTC with battery back-up (full calendar)
 - * Power over USB for controller configuration
 - * Zero power mode
 - * True RMS measurement
 - * In-built PLC, complemented with a PLC monitoring tool in IntelliConfig
 - * Load shedding, dummy load management
- User buttons
- * User buttons
 - * Geofencing based on GPS position
 - * Available also in low temperature version (Order code: