

**TECHNIQUE INFORMATION**  
**DIESEL GENERATORS**  
**GSG STAR DIESEL ENGINE POWERED**



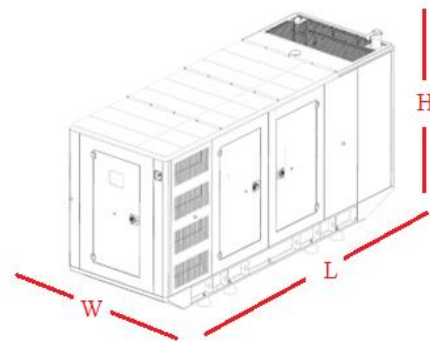
<b>STAR</b>			<b>GSG - S660</b>	
-------------	--	--	-------------------	--

<b>Standby Power</b>	kVA	<b>660</b>	<b>Engine Speed</b>	<b>Power Factor</b>
	kW	<b>528</b>	1500 rpm	0,8 Cos Phi
<b>Prime Power</b>	kVA	<b>600</b>	<b>Voltage</b>	
	KW	<b>480</b>	400 / 230 V	

**ENGINE**

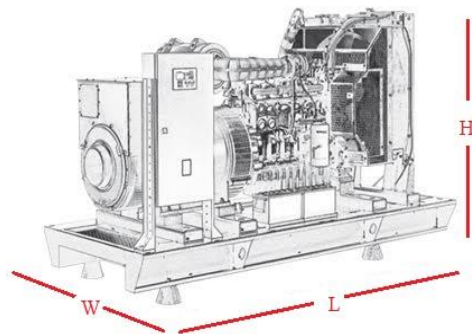
**FUEL CONSUMPTION (lt/h)**

Brand	SDEC	%110 ESP	139
Power PRP	kW 505	%100 PRP	126
Model	SC27G755D2	%75 PRP	95,3
N° of Cylinders / Valves	12/24	%50 PRP	66,3
Engine Type	4 Stroke	(The specific gravity is 0.84 and the fuel is considered to be BS2869, Class A2.)	
Displacement	lt 26,6		
Aspiration	Turbocharged - Intercooled		
Bore x Stroke	mm 135x155		
Compression Ratio	16:1		
Air Filter	Replaceable Element		
Cooling Method	Water Cooled (water + %50 antifreeze)		
Total Coolant Capacity	lt 147		
Governor Type	Electronic		
Electrical System	24VDC		
Battery Charger Current	55A		
Oil Capacity	lt 65		
Exhaust Gas Flow PRP	[m3/min] 91,8		
Exhaust Gas Temp.	[°C] 600		
Air Flow PRP	[m3/min] 36		
Cooling Air Flow PRP	[m3/min] 955,2		
Starter Power	(kW) 11		
Standard Battery Voltage	[V] 24VDC		
Standard Battery Capacity	2x105Ah		
Standard Battery Type	Maintenance-Free Lead Acid		



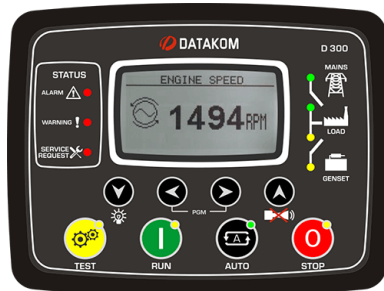
**ALTERNATOR**

Brand	NEKRA
Model	ARK 5E
Voltage	400/230 VAC
Number of Phase	3
Power Factor	0,8
Number of Poles	4
Connection Type	Star
Bearing	Single
Insulation Class	H
Protection Class	IP 23
Winding	2/3
Control System	Self Excited
Voltage Regulator	Electronic AVR
Efficiency 4/4 400VAC 50Hz	(cosφ=1) 96
Voltage Regulation	+%1
THD	<%5
Apparent Power [kVA] Prime 400VAC 50Hz	610
	125°C/40°C



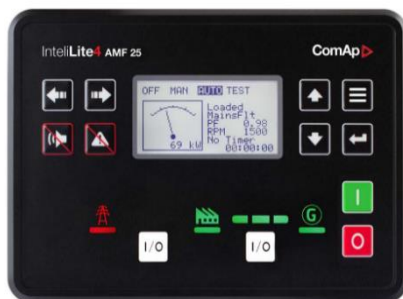
<b>OPEN VERSION</b>					<b>CANOPY VERSION</b>			
Width(mm)	Length(mm)	Height(mm)	Dry Weight (kg)	Fuel Tank Capacity (lt.)	Width(mm)	Length(mm)	Height(mm)	Dry Weight (kg)
1650	3980	2197	4851	1200	1710	5000	2555	5500

**TECHNIQUE INFORMATION  
DIESEL GENERATORS  
GSG STAR DIESEL ENGINE POWERED**



- \* Diesel and gas genset support
- \* 400Hz operation support
- \* Downloadable languages
- \* Harmonic analysis of V & I
- \* Weekly operation schedule
- \* Dual mutual standby with equal aging of gensets
- \* Overload IDMT protection
- \* Current unbalance protection
- \* Fuel filling & fuel theft alarms
- \* Battery back-up real time clock

- \* Idle speed control
- \* Contactor & MCB drive
- \* Fuel filling counters
- \* Fuel consumption counter
- \* Automatic GSM geo-location
- \* Reverse power protection
- \* Free configuration program
- \* Mobile genset support
- \* 3 level configuration password
- \* IP65 rating with optional gasket



- \* Full remote communications support (AirGate 2.0, WSV)
- \* Internet access using Ethernet / 4G, Modbus TCP/RTU  
SNMP v1/v2c
- \* Active SMS and emails
- \* Detailed history log with up to 350 records
- \* Dual Mutual Standby application support
- \* Remote display
- \* User setpoints and protections
- \* 5 languages in the controller & Translator functionality
- \* User Access Management
- \* Cyber security improvement
- \* Alternative configurations
- \* Multi-purpose schedulers
- \* Modbus register mapping possibility

- \* Stand-by and prime-power application in one unit
  - \* Backlit symbols
  - \* 8 binary outputs, 8 + 1 binary inputs, 4 analog inputs (U/I/R)
  - \* +5 V output reference for analog inputs
  - \* 2 high-current E-Stop binary outputs
  - \* USB Host
  - \* Inbuilt RS485
  - \* 2 slots for extension plug-in modules (Modbus, Internet, SMS, inputs/outputs)
  - \* Extension CAN modules
  - \* ECU support (Tier 4 Final, Stage V)
  - \* RTC with battery back-up (full calendar)
  - \* Power over USB for controller configuration
  - \* Zero power mode
  - \* True RMS measurement
  - \* In-built PLC, complemented with a PLC monitoring tool in IntelliConfig
  - \* Load shedding, dummy load management
- User buttons
- \* User buttons
  - \* Geofencing based on GPS position
  - \* Available also in low temperature version (Order code: