

**TECHNIQUE INFORMATION  
DIESEL GENERATORS  
GSG STAR DIESEL ENGINE POWERED**



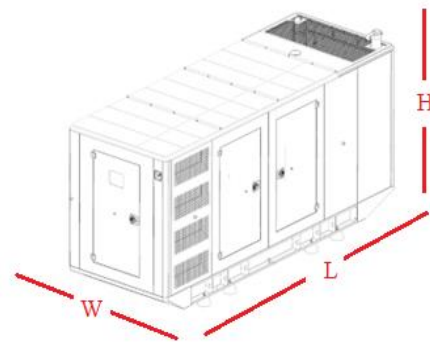
<b>STAR</b>		<b>GSG - S840</b>	
-------------	--	-------------------	--

<b>Standby Power</b>	kVA	<b>840</b>	<b>Engine Speed</b>	<b>Power Factor</b>
	kW	<b>672</b>		
<b>Prime Power</b>	kVA	<b>784</b>	<b>Voltage</b>	
	KW	<b>627,2</b>	400 / 230 V	

**ENGINE**

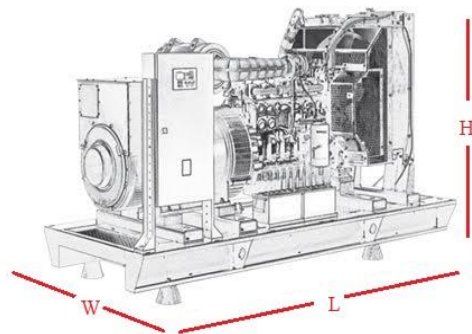
**FUEL CONSUMPTION (lt/h)**

Brand	SDEC	%110 ESP	182,3
Power PRP	660	%100 PRP	163,7
Model	SC33W990D2	%75 PRP	123,9
N° of Cylinders / Valves	6/12	%50 PRP	84,3
Engine Type	4 Stroke	(The specific gravity is 0.84 and the fuel is considered to be BS2869, Class A2.)	
Displacement	32,8		
Aspiration	Turbocharged - Intercooled		
Bore x Stroke	180x215		
Compression Ratio	15:1		
Air Filter	Replaceable Element		
Cooling Method	Water Cooled (water + %50 antifreeze)		
Total Coolant Capacity	214		
Governor Type	Electronic		
Electrical System	24VDC		
Battery Charger Current	55A		
Oil Capacity	75		
Exhaust Gas Flow PRP	152,6		
Exhaust Gas Temp.	680		
Air Flow PRP	62,9		
Cooling Air Flow PRP	1249,2		
Starter Power	11		
Standard Battery Voltage	24VDC		
Standard Battery Capacity	4x105Ah		
Standard Battery Type	Maintenance-Free Lead Acid		

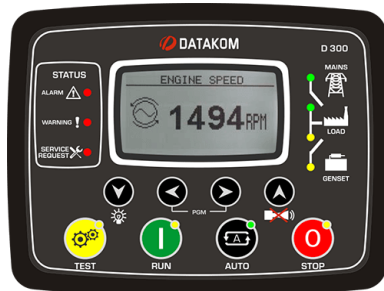


**ALTERNATOR**

Brand	NEKRA
Model	ARK 6C
Voltage	400/230 VAC
Number of Phase	3
Power Factor	0,8
Number of Poles	4
Connection Type	Star
Bearing	Single
Insulation Class	H
Protection Class	IP 23
Winding	2/3
Control System	Self Excited
Voltage Regulator	Electronic AVR
Efficiency 4/4 400VAC 50Hz	95,1
Voltage Regulation	+%1
THD	<%5
Apparent Power [kVA] Prime 400VAC 50Hz	800
125°C/40°C	

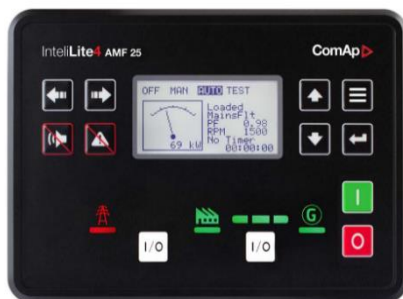


<b>OPEN VERSION</b>					<b>CANOPY VERSION</b>			
Width(mm)	Length(mm)	Height(mm)	Dry Weight (kg)	Fuel Tank Capacity (lt.)	Width(mm)	Length(mm)	Height(mm)	Dry Weight (kg)
2020	4290	2311	6577	1500	2370	5960	2611	8832



- \* Diesel and gas genset support
- \* 400Hz operation support
- \* Downloadable languages
- \* Harmonic analysis of V & I
- \* Weekly operation schedule
- \* Dual mutual standby with equal aging of gensets
- \* Overload IDMT protection
- \* Current unbalance protection
- \* Fuel filling & fuel theft alarms
- \* Battery back-up real time clock

- \* Idle speed control
- \* Contactor & MCB drive
- \* Fuel filling counters
- \* Fuel consumption counter
- \* Automatic GSM geo-location
- \* Reverse power protection
- \* Free configuration program
- \* Mobile genset support
- \* 3 level configuration password
- \* IP65 rating with optional gasket



- \* Full remote communications support (AirGate 2.0, WSV)
- \* Internet access using Ethernet / 4G, Modbus TCP/RTU  
SNMP v1/v2c
- \* Active SMS and emails
- \* Detailed history log with up to 350 records
- \* Dual Mutual Standby application support
- \* Remote display
- \* User setpoints and protections
- \* 5 languages in the controller & Translator functionality
- \* User Access Management
- \* Cyber security improvement
- \* Alternative configurations
- \* Multi-purpose schedulers
- \* Modbus register mapping possibility

- \* Stand-by and prime-power application in one unit
  - \* Backlit symbols
  - \* 8 binary outputs, 8 + 1 binary inputs, 4 analog inputs (U/I/R)
  - \* +5 V output reference for analog inputs
  - \* 2 high-current E-Stop binary outputs
  - \* USB Host
  - \* Inbuilt RS485
  - \* 2 slots for extension plug-in modules (Modbus, Internet, SMS, inputs/outputs)
  - \* Extension CAN modules
  - \* ECU support (Tier 4 Final, Stage V)
  - \* RTC with battery back-up (full calendar)
  - \* Power over USB for controller configuration
  - \* Zero power mode
  - \* True RMS measurement
  - \* In-built PLC, complemented with a PLC monitoring tool in IntelliConfig
  - \* Load shedding, dummy load management
- User buttons
- \* User buttons
  - \* Geofencing based on GPS position
  - \* Available also in low temperature version (Order code: